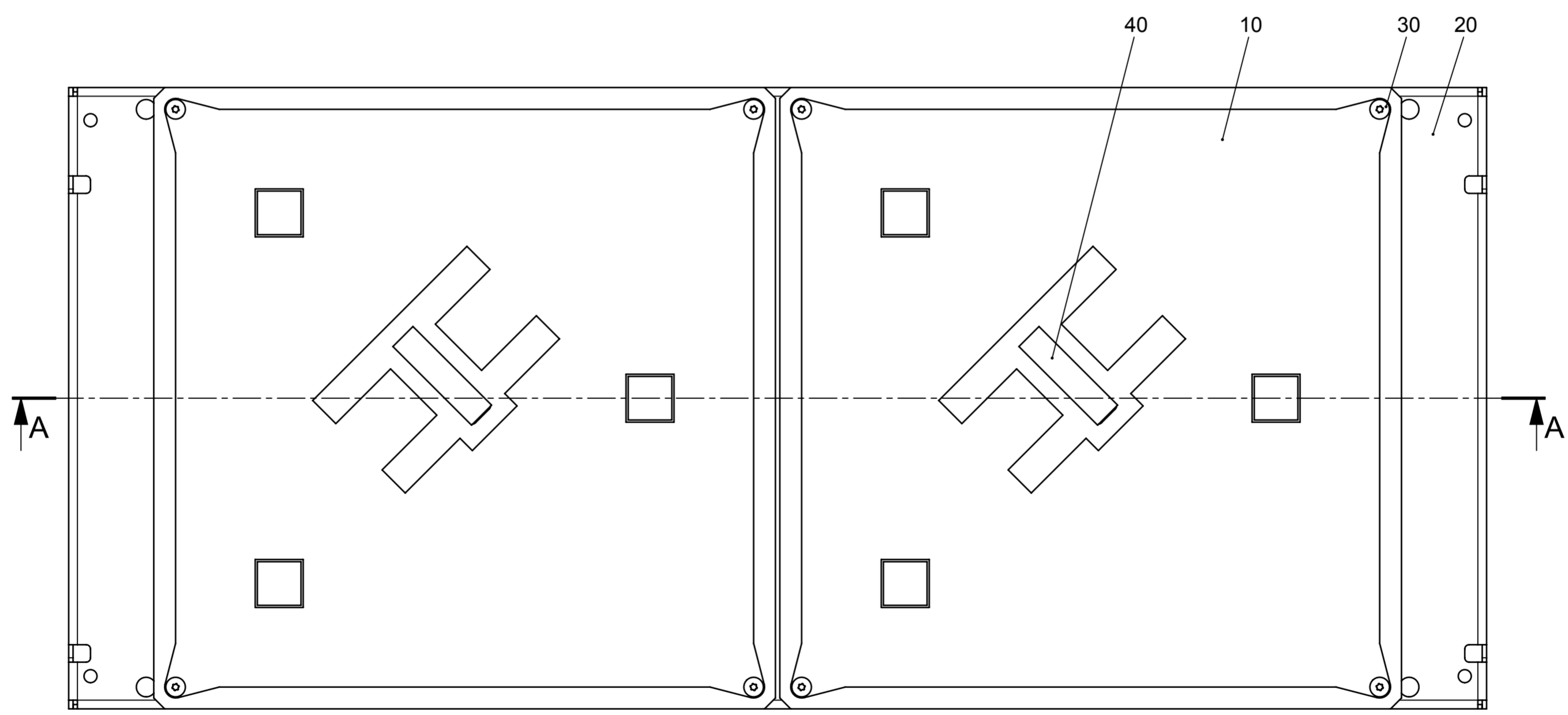
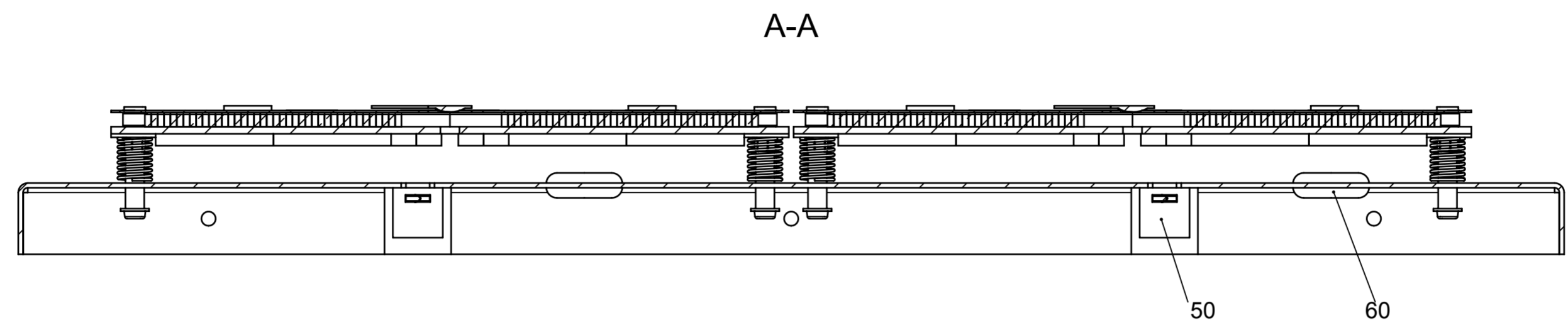


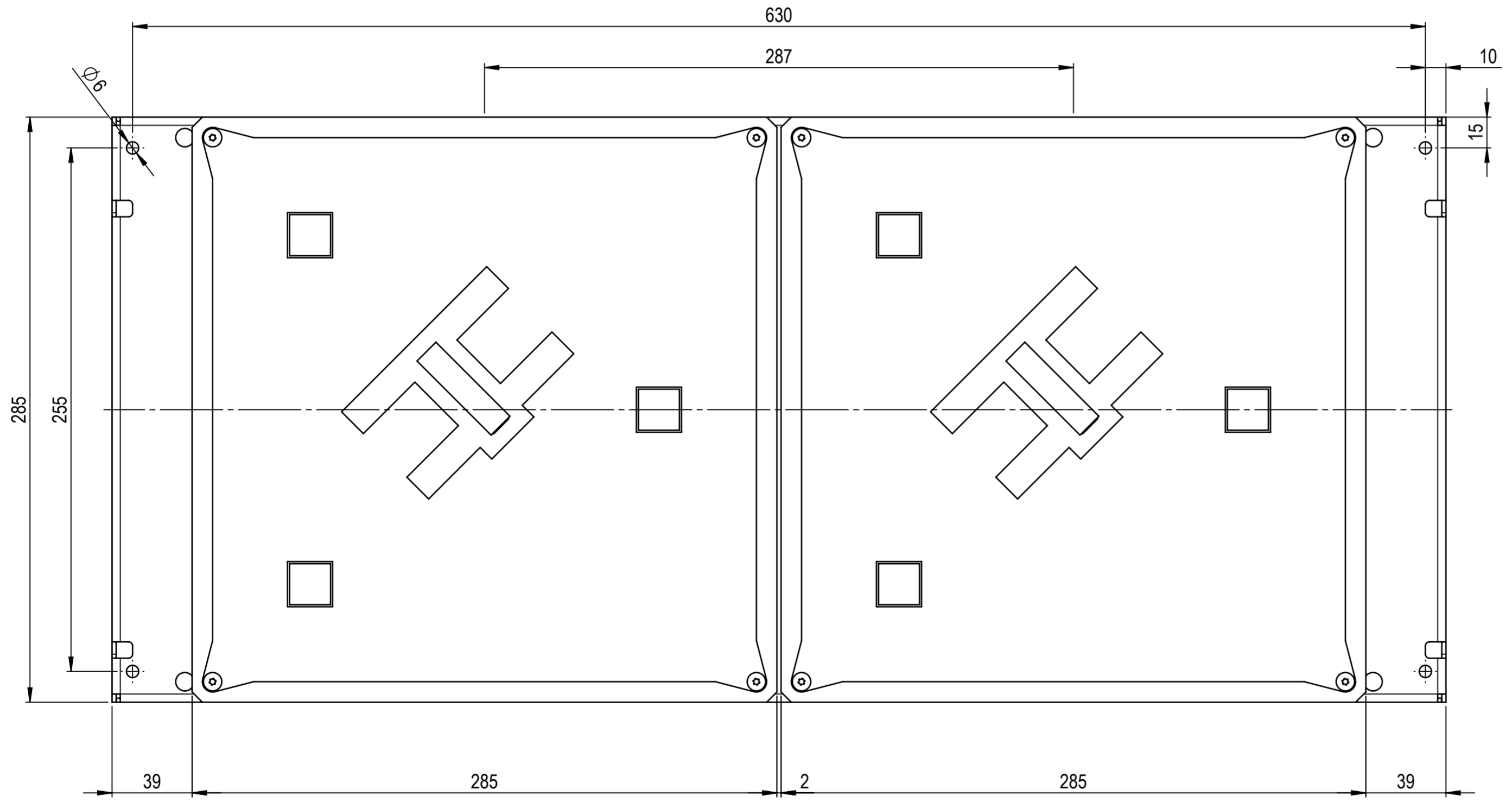
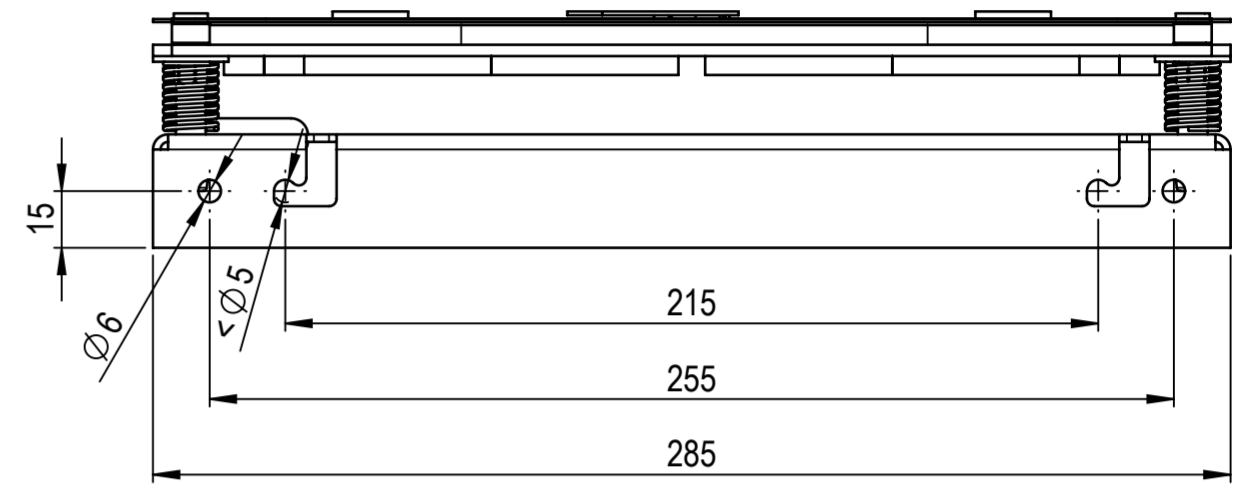
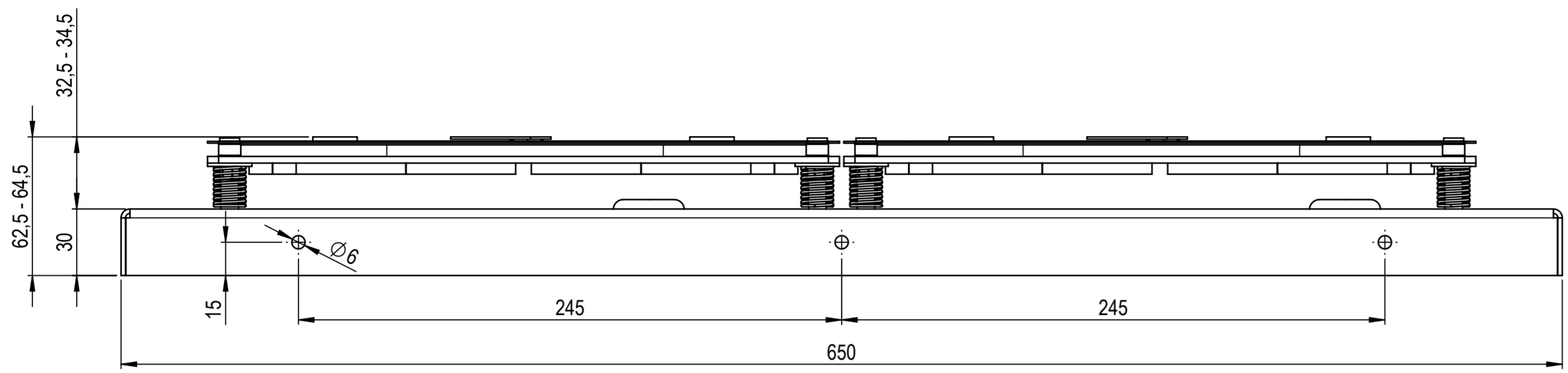
document id.: C000031649-001-00-A / state: 225 - approved
 view date: 2022-04-25 11:59:29 / user: WINKLERA
 item id.: 78.98202.307-00/00A / SAP material state: 2F



| | | | | | | | | | | | | | |
|--------|--|--|--|--|--|------|----------------------------|-------|-----------------------|------------|---------------------------|-----------|--|
| | | | | This document is exclusively committed to you for the agreed purpose. Any kind of duplication, utilization or communication of its content is prohibited, if not expressly conceded otherwise. Violators are committed to pay compensations. Any claims of existing or future property rights remain unaffected. | | | Blank No. | | EN Mat.No. | | Scale Unit mm | | |
| | | | | | | | Material | | | | Scale 1:2 | | |
| | | | | | | | Surface Texture | | ISO 1302 | | ⊕ | | |
| | | | | | | | General Tolerances | | ISO 2768-m | | | | |
| | | | | | | | CAD | | Date | | Name | | |
| | | | | | | | Creat. | | 21.05.2019 | | GONZALEZO | | |
| Cha. | | | | Information No. | | Date | | Proc. | | 21.05.2019 | | GONZALEZO | |
| F.Rel. | | | | | | | | Rel. | | | | | |
| | | | | | | | Designation | | | | | | |
| | | | | | | | 78.98202.307 EGO Coil Car. | | 2Q260x260/CH/G650/L/S | | | | |
| | | | | | | | document id. | | C000031649-001-00-A | | Stat. Sheets Doc. Ex.Doc. | | |
| | | | | | | | G | | | | | | |
| Origin | | | | Repl.for | | | Repl.by | | Ref. | | | | |



document id.: C000031649-001-00-A / state: 225 - approved
 view date: 2022-04-25 11:59:29 / user: WINKLERA
 item id.: 78.98202.307-00/00A / SAP material state: 2F



| | | | | | | |
|--|-----------------|------|-------|--------------------|---|---------------|
| This document is exclusively committed to you for the agreed purpose. Any kind of duplication, utilization or communication of its content is prohibited, if not expressly conceded otherwise. Violators are committed to pay compensations. Any claims of existing or future property rights remain unaffected. | | | | Blank No. | EN Mat. No. | Scale Unit |
| | | | | Material | | mm |
| | | | | Surface Texture | ISO 1302 | Scale |
| | | | | General Tolerances | ISO 2768-m | 1:2 |
| | | | | CAD | Date | Name |
| | | | | 21.05.2019 | 21.05.2019 | GONZALEZO |
| | | | | Designation | 78.98202.307 EGO Coil Car. 2Q260x260/CH/G650/LS | |
| Cha. | Information No. | Date | Proc. | 21.05.2019 | GONZALEZO | |
| F.Rel. | | | Rel. | | | |
| document id. | | | | Stat. | Sheets | Doc. Ex. Doc. |
| C000031649-001-00-A | | | | G | | |
| Origin | Repl.for | | | Repl.by | Ref. | |
| | | | | | | |

